

# FRANCE WOOD HOUSE

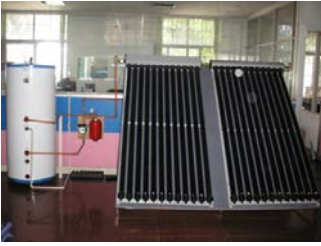
A vibrant sunflower in the foreground against a bright blue sky with white clouds and a sunburst effect.

**LE SOLEIL**  
**L'ÉNERGIE POUR VOTRE MAISON**

# QUOTATION

France Wood House  
 solaire kit destiné à nos clients exclusivement  
 Prix indiqué kit non monté  
 Prevoir 980 HT euros de montage.

## Split Pressurized Solar Water Heater System



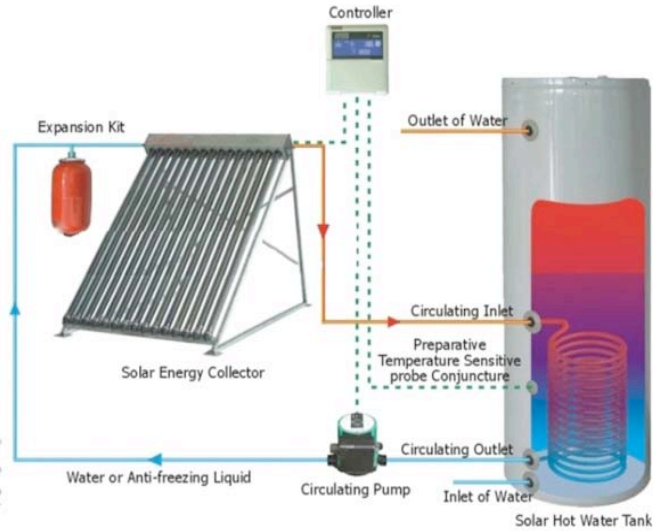
**Tank**  
 Inner tank: High quality stainless steel (sus304-2b)  
 Outer tank: Galvanized steel alloy or sus 304 quality stainless st  
 Insulation material: Imported polyurethane  
 Insulation thickness: 50mm

**Tubes**  
 Type: Heat pipe vacuum tube  
 Glass material: High borosilicate 3.3  
 Absorptive coating: Al-N/AL or ALN/ALN-SS/CU

**Frame**  
 Material: Aluminum alloy plate  
 Thickness: 1.5mm  
 Degree: can be adjusted

| Item No.   | Tank Capacity | Dia of inner tank (mm) | Dia of outer tank (mm) | Coil NO. | Tubes    |             |     | Collector No. s | Unit Price (FOB Shanghai) |
|------------|---------------|------------------------|------------------------|----------|----------|-------------|-----|-----------------|---------------------------|
|            |               |                        |                        |          | Dia (mm) | Length (mm) | No. |                 |                           |
| HNCM-SP-18 | 150L          | Φ 370                  | Φ 470                  | 1        | Φ 58     | 1800        | 18  | 1               | €HT 673                   |
| HNCM-SP-24 | 200L          | Φ 450                  | Φ 550                  |          |          |             | 24  | 1               | €HT 875                   |
| HNCM-SP-30 | 250L          | Φ 480                  | Φ 580                  |          |          |             | 30  | 1               | €HT 992                   |
| HNCM-SP-36 | 300L          | Φ 480                  | Φ 580                  | 2        | Φ 58     | 1800        | 36  | 2               | €HT 1190                  |
| HNCM-SP-48 | 400L          | Φ 580                  | Φ 680                  |          |          |             | 48  | 2               | €HT 1487                  |
| HNCM-SP-60 | 500L          | Φ 580                  | Φ 680                  |          |          |             | 60  | 2               | €HT 1723                  |

Installation scheme:

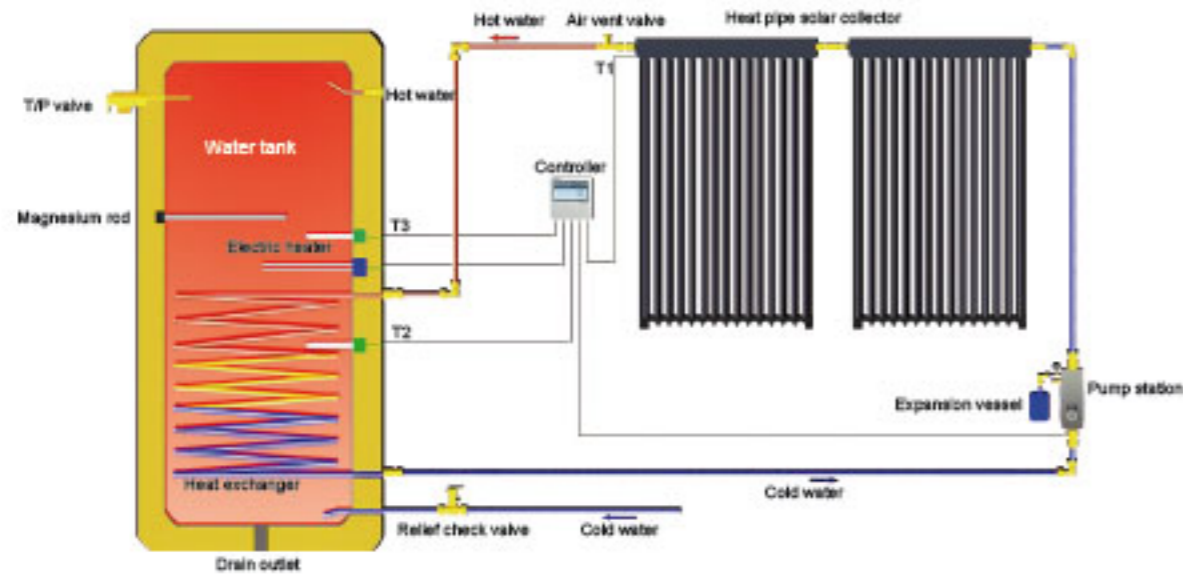


## Vacuum Tube Split Solar Water Heating System



**Model: JSH**  
**Collector:** Heat pipe solar collector  
**Tank capacity:** 150L-500L  
**Heat exchanger(inside tank):** Copper coil  
**Inner tank:** SUS304-2B stainless steel  
**Auxiliary energy:** Electric heater  
**Expansion vessel:** 5L,8L,12L,18L,24L

The split solar water heating is an active system, using a circulation pump with a controller to circulate the fluid in the closed loop system. Storage tank and solar collector are separated, the collector is integrated with the building perfectly, while the tank and the pump station can be installed anywhere in the building.



### Characteristic:

- 1) No disorder water tank on your roof.
- 2) Anti-freezing, perfect for cold area.
- 3) Can be combined with existing energy source, such as gas water heater, electric water heater, boiler, etc.
- 4) Auxiliary electric heating booster inside tank, providing hot water in case of cloudy or rainy days.
- 5) Completely automatic operation.

### Parameter table

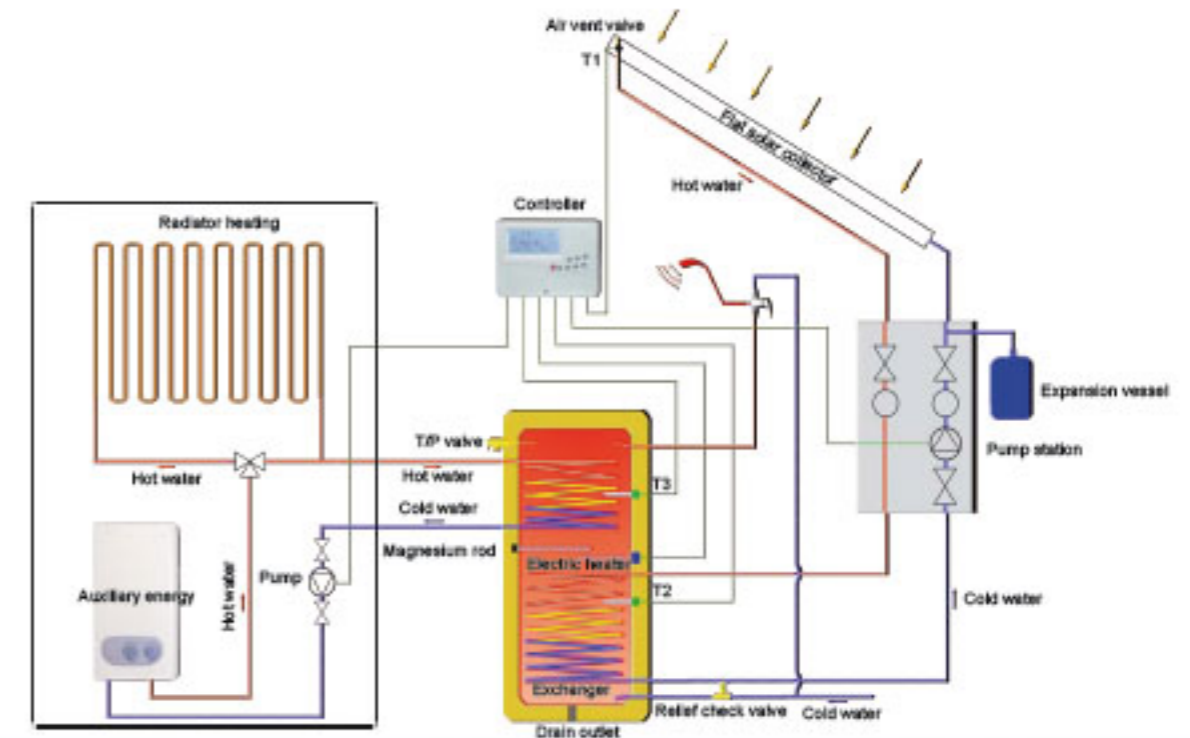
| Model       | Solar collector |     | Absorber area(m <sup>2</sup> ) | Capacity(L) | Person NO. | Loading Qty. (set) |     |       |
|-------------|-----------------|-----|--------------------------------|-------------|------------|--------------------|-----|-------|
|             | Model           | NO. |                                |             |            | 20'                | 40' | 40'HQ |
| JSH1-150-18 | JHC-5818-18     | 1   | 2.3                            | 150         | 3          | 38                 | 76  | 88    |
| JSH1-200-24 | JHC-5818-24     | 1   | 3.1                            | 200         | 4          | 28                 | 58  | 74    |
| JSH1-250-30 | JHC-5818-30     | 1   | 3.8                            | 250         | 5          | 25                 | 51  | 55    |
| JSH1-300-36 | JHC-5818-18     | 2   | 4.6                            | 300         | 6          | 21                 | 43  | 48    |
| JSH1-400-48 | JHC-5818-24     | 2   | 6.2                            | 400         | 8          | 17                 | 37  | 41    |
| JSH1-500-60 | JHC-5818-30     | 2   | 7.6                            | 500         | 10         | 14                 | 28  | 32    |

## Flat Plate Split Solar Water Heating System



**Model: JSF**  
**Collector:** Flat plate solar collector  
**Tank capacity:** 150L-500L  
**Heat exchanger(inside tank):** Copper coil  
**Inner tank:** SUS304-2B stainless steel  
**Auxiliary energy:** Electric heater  
**Expansion vessel:** 5L,8L,12L,18L,24L

The flat plate split system is an active system, using a circulation pump with a controller to circulate the fluid in the closed loop system. Storage tank and solar collector are separated, the collector is integrated with the building perfectly, while the tank and the pump station can be installed anywhere in the building.



### Characteristic:

- 1) Affordable solar heating solution.
- 2) Easily integrated into existing heating systems.
- 3) Suitable for domestic and commercial hot water.

### Parameter table

| Model    | Flat solar collector |       |        | Absorber area(m <sup>2</sup> ) | Capacity(L) | Person NO. | Loading Qty. (set) |     |       |
|----------|----------------------|-------|--------|--------------------------------|-------------|------------|--------------------|-----|-------|
|          | Length               | Width | Height |                                |             |            | 20'                | 40' | 40'HQ |
| JSF1-150 | 2000                 | 1000  | 80     | 2                              | 150         | 3          | 39                 | 80  | 90    |
| JSF1-300 | 2000                 | 1000  | 80     | 4                              | 300         | 6          | 22                 | 45  | 49    |
| JSF1-400 | 2000                 | 1000  | 80     | 6                              | 400         | 8          | 18                 | 36  | 40    |
| JSF1-500 | 2000                 | 1000  | 80     | 8                              | 500         | 10         | 14                 | 29  | 35    |